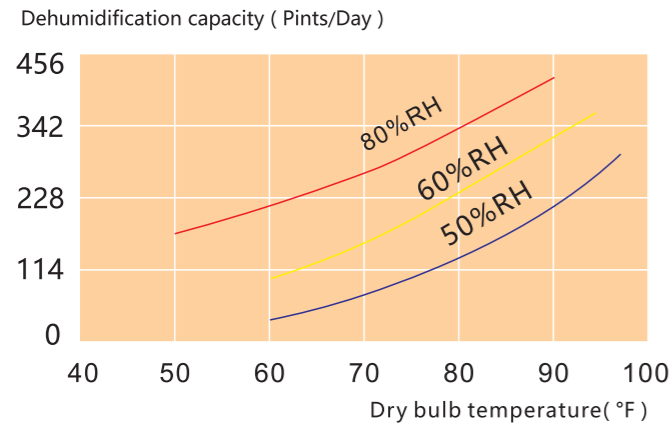


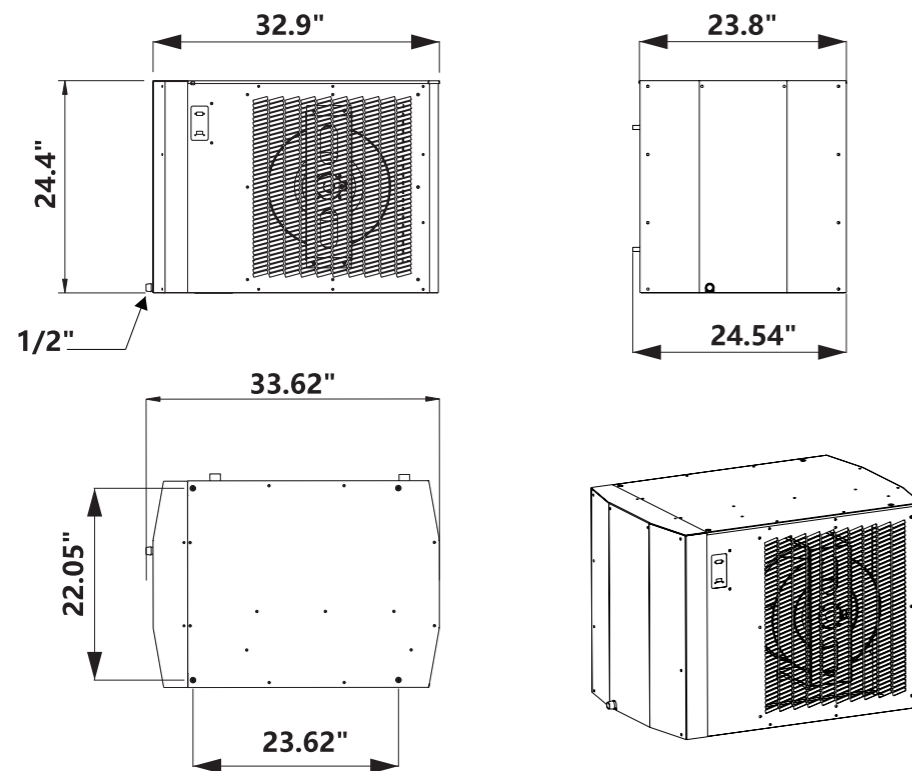
# Dehumidifier

# LG 228

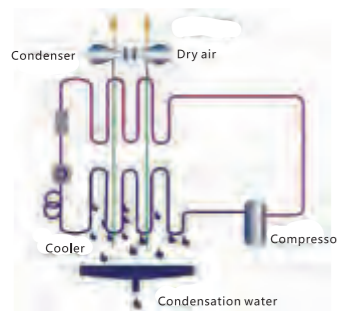
## Performance Curve Chart



## LG 228 Exterior Dimensions



## Schematic Diagram of the Structure



## FEATURES:

- Compact yet powerful, the LEIZIG dehumidifier offers a versatile dehumidification range from 70-880pints/day.
- Boasting a high-efficiency filtration system, it ensures your plants are safeguarded from detrimental microbes.
- Experience industry-leading minimal noise operation.
- This dehumidifier is equipped with a remote dry contact input and an RS485, communication interface supporting the standard MODBUS protocol. It can seamlessly integrate with various humidity controllers and control systems.
- Choose from a variety of installation options including hoisting, ceiling, wall, and floor cabinets – there's a fit for every preference.

<b>Model No.</b>	<b>LG 228</b>
Factory ID No.	31000024
Dimensions(W*H*D)	32.9" * 24.4" * 23.8"
Package Dimensions(W*H*D)	36.3" * 29.6" * 27.5"

<b>Technical Parameters</b>	<b>LG 228</b>
Capacity	230Pints/Day
Efficiency	6.6Pints/kWh
Refrigerant	R32
Operating Temp	41-100°F
Drain Connection	3/4 Threaded NPT
Air Filter	MERV-8/13;21.8"* 21.8"* 2"
Blower (Tested with duct collars on)	850CFM @ 0.0" WG
Heat Load (BTU/H)	6350
Energy Factor	3.13 L/kwh

<b>Electrical Parameters</b>	<b>LG 228</b>
Supply Voltage	208-277VAC/1N/50&60HZ
Power	1450W
Current Draw	6.3 @240V / 5.5 @277V

<b>Attachment Parameters</b>	<b>LG 228</b>
Weight	200 lb
Weight (w/ Packaging)	283 lb
Maximum Noise	70dB(A)
Installation Method	Ceiling-suspended or Bottom fixed
Component Material	Galvanized Steel/Powder Electroplated Paint (stainless steel housing optional)
Safety Parameters	In Accordance with DIN 31001
Protection Level	IP23
Surface Color	RAL7035 (light grey) +RAL 1033 (Orange), other colors on request
Certification	CE/ETL

## Accessories

Type	ID NO.	Description
IDK3	31800018	Intake Duct kit
EDK3	31800019	Exhaust Duct kit
FT308	31800031	Standard Filtration(MERV8)
FT313	31800034	Superior Filtration(MERV13)