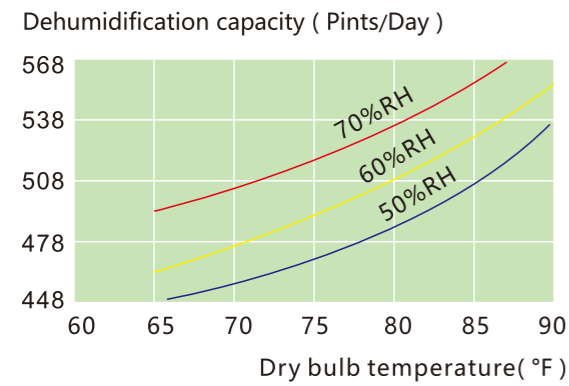
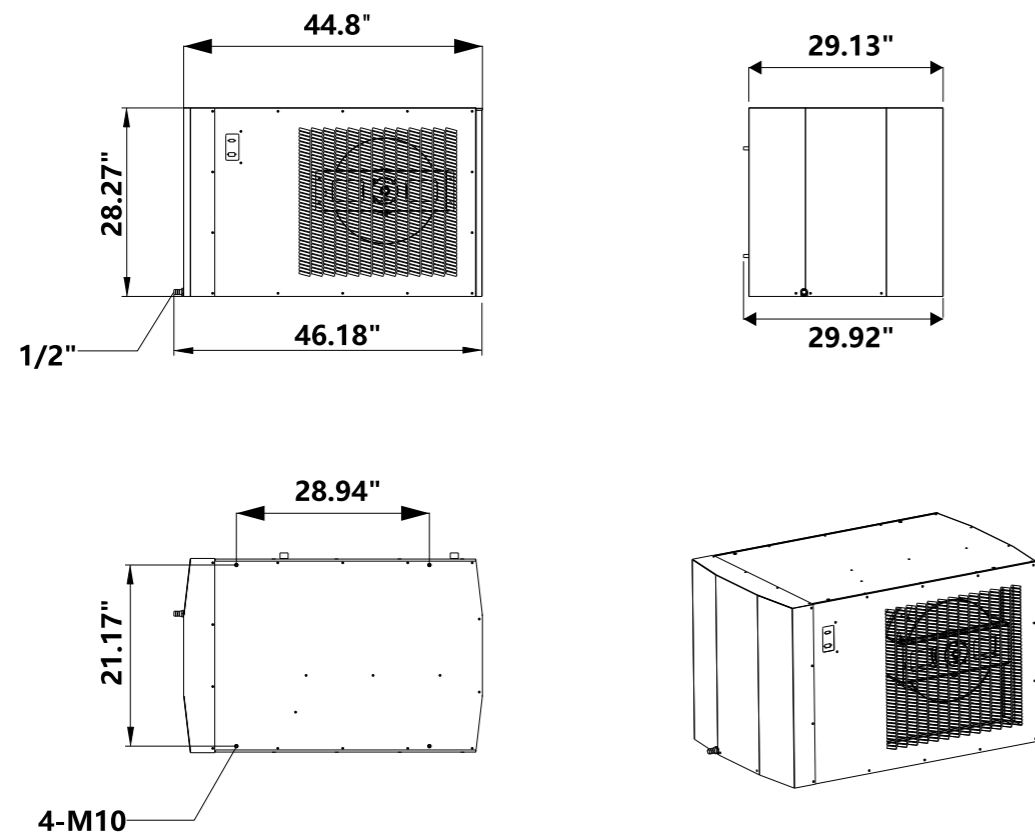


Dehumidifer

Performance Curve Chart



LG 508 Exterior Dimensions



Schematic Diagram of the Structure



FEATURES:

Compact yet powerful, the LEIZIG dehumidifier offers a versatile dehumidification range from 70-880pints/day.

Boasting a high-efficiency filtration system, it ensures your plants are safeguarded from detrimental microbes.

Experience industry-leading minimal noise operation.

When paired with AHU, it excels in managing humidity in environments with low temperatures and elevated humidity levels.

Choose from a variety of installation options including hoisting, ceiling, wall, and floor cabinets – there's a fit for every preference.

Model No.	LG 508	
Factory ID No.	31000007	31000031
Dimension (W×H×D)	44.8"*28.3"*29.9"	

Technical parameter	LG 508
Capacity(Pints/Day)	508 Pints/Day
Efficiency	8.1 Pints/kWh
Refrigerant	R410A/51b.8oz
Refrigerant Amount	51b.8oz.
Operating Temp(°F)	56-95
Drain Connection	1/2" Theraded NPT
Air Filter	MERV-13/28.9"*24.8"*1"
Blower (Tested with duct collars on)	1350CFM@0.0" WG
BTU/H	43400
Energy Factor	3.8 L/kWh

Electrical parameters	LG 508	
Supply Voltage(V)	208~230VAC/1Ph/60Hz	480VAC/3Ph/60Hz
Power(W)	3808W	
Current Draw	19.2A	5.8A
Power Cord	Cord not provided-Direct wired only	
Display mode	Plug-in connector	

Attachment parameters	LG 508
Weight(lb)	275
Installation method	Ceiling-suspended
Component Material	Galvanized steel/powder electroplated paint (stainless steel housing optional)
Safety parameters	In accordance with DIN 31001
Environmental parameters	Max. ambient temperature 131 °F, max RH 80%, L35/L35(EN814)
Protection level	IP23
Standard of delivery	Dehumidifier actual machine, installation instructions, installation spare parts, quick plug (optional controller, import flange, export flange)
Surface color	RAL7035 (light grey) +RAL1033 (Orange), other colors on request
Certification	CE/UL