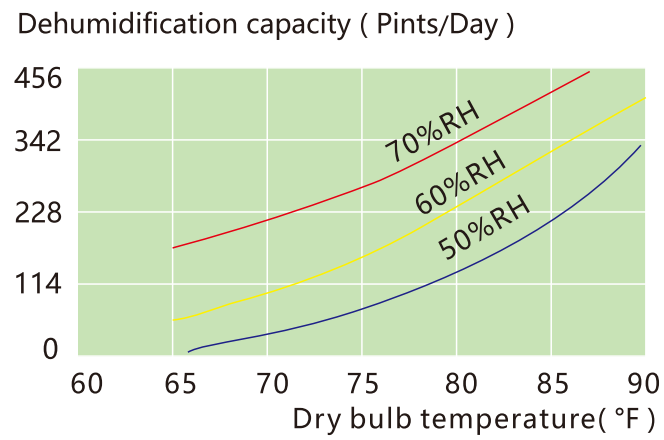
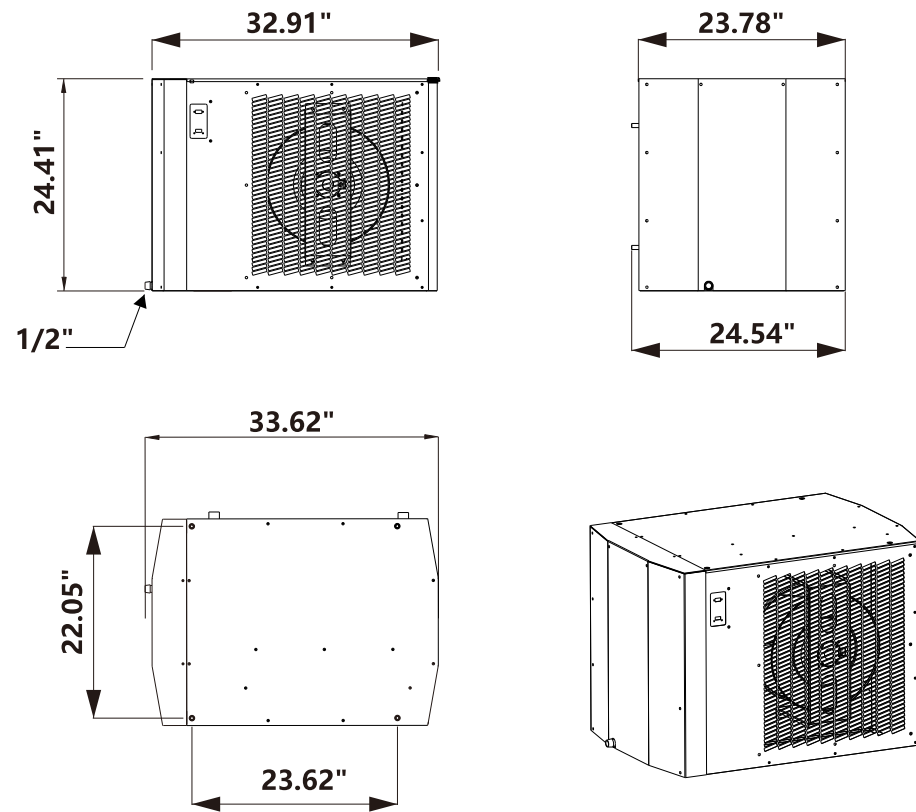


Dehumidifer

Performance Curve Chart



LG 228 Exterior Dimensions



Schematic Diagram of the Structure



FEATURES:

Compact yet powerful, the LEIZIG dehumidifier offers a versatile dehumidification range from 70-880pints/day.

Boasting a high-efficiency filtration system, it ensures your plants are safeguarded from detrimental microbes.

Experience industry-leading minimal noise operation.

When paired with AHU, it excels in managing humidity in environments with low temperatures and elevated humidity levels.

Choose from a variety of installation options including hoisting, ceiling, wall, and floor cabinets – there's a fit for every preference.



Model No.	LG 228
Factory ID No.	31000013
Dimension (W×H×D)	32.91"*24.41"*24.54"

Technical parameter	LG 228
Capacity(Pints/Day)	228 Pints/Day
Efficiency	6.1 Pints/kWh
Refrigerant	R410A/2lb.0oz
Refrigerant Amount	2lb.0oz
Operating Temp(°F)	56-95
Drain Connection	1/2" Theraded NPT
Air Filter	MERV-11/21.8"*21.8"*1"
Blower (Tested with duct collars on)	520CFM @ 0.0"WG
BTU/H	16236
Energy Factor	2.9 L/kWh

Electrical parameters	LG 228
Supply Voltage(V)	208~230VAC/1Ph/60Hz
Power(W)	1800W
Current Draw	8.2A
Power Cord	Cord not provided-Direct wired only
Display mode	Plug-in connector

Attachment parameters	LG 228
Weight(lb)	140
Installation method	Ceiling-suspended
Component Material	Galvanized steel/powder electroplated paint (stainless steel housing optional)
Safety parameters	In accordance with DIN 31001
Environmental parameters	Max. ambient temperature 131 °F, max RH 80%, L35/L35(EN814)
Protection level	IP23
Standard of delivery	Dehumidifier actual machine, installation instructions, installation spare parts, quick plug (optional controller, import flange, export flange)
Surface color	RAL7035 (light grey) +RAL1033 (Orange , other colors on request
Certification	CE/UL

Dehumidification Series

Dehumidification Series