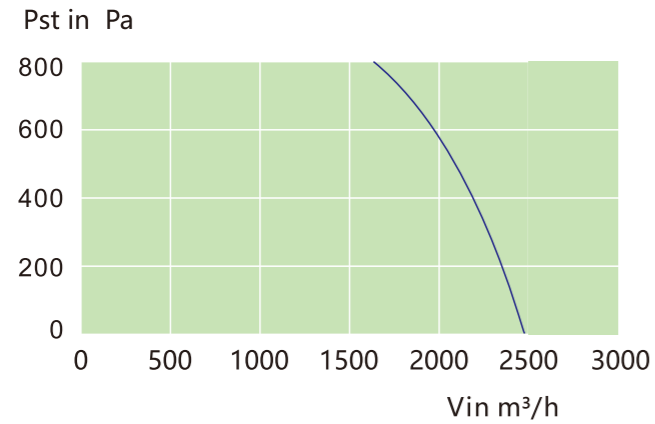


# INLINE DUCT FAN DF08

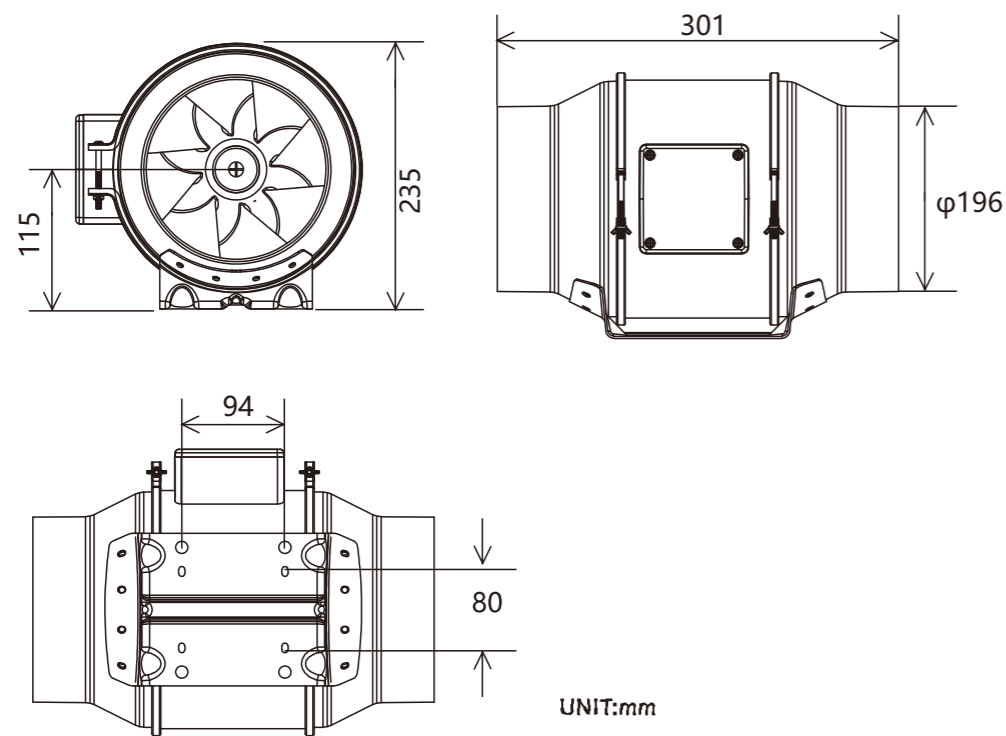
Improving air quality for growth



## Performance Curve



## DF04 Outside dimension drawing



## Onsite application



## Features

- Leizig CAD designed air flow system allows for the elimination of the dead zones;
- High efficiency motor is guaranteed to run longer, quieter and cleaner;
- Turbine head is made of high quality, PP material for wide temperature tolerance;
- Sleek but practical design facilitates easy and attractive installation;
- Variable fan speed via manual control or optional intelligent control;
- 5 year warranty included.

Model No.	DF08
Factory ID No.	32100092
Product Name	Air Filtration Kit 8"

<b>Fan Unit</b>	DF08
Total Dimensions	9.25 x 11.85 x 9.72 in.
Screw Hole Size	Ø 0.217 in.
Cord Length to Controller	72 in.
Controller Total Dimensions	2.70 x 1.37 x 0.55 in.
Total Airflow (Fan Only)	553 CFM
Total Noise	46dBA
Max Speed	2000RPM
Static Pressure	746 Pa
Voltage	100-240V AC
Frequency	50/60Hz
Max Power Draw	180W
Average Power Usage	165W
Current	0.76A
Power Connector Type	US Plug (NEMA 1-15 Type-A)
Operating Humidity	35 to 85% RH
Operating Temperature	32 to 140°F
Ingress Protection	IP 44
Mounting Positions	Horizontal or Vertical
L10 Life Expectancy	67,000 Hours

<b>Carbon Filter</b>	DF08
Total Dimensions	3.3 x 3.3 x 0.98 in.
Flange Material	Aluminum
Flange Design	Reversible
Mesh Material	Stainless Steel
Carbon Grade	1200+
Carbon Type	Australian Charcoal
Maximum Airflow	770 CFM

<b>Ducting</b>	DF08
Length	78.74 in. (2 m)
Outer Layer	PVC Thermoplastic
Inner Material	Aluminum Foil