

# INLINE DUCT FAN DF06

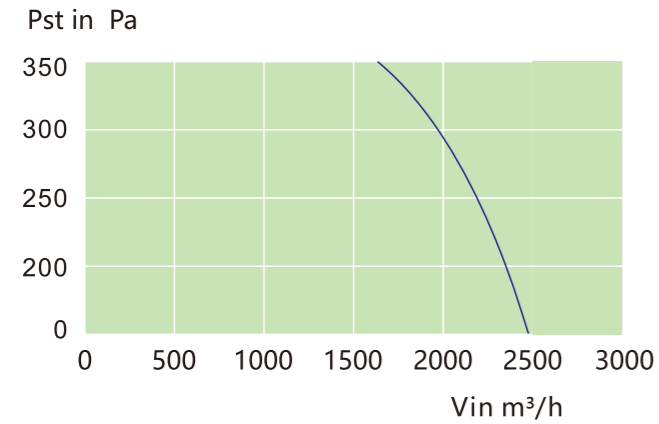
Improving air quality for growth



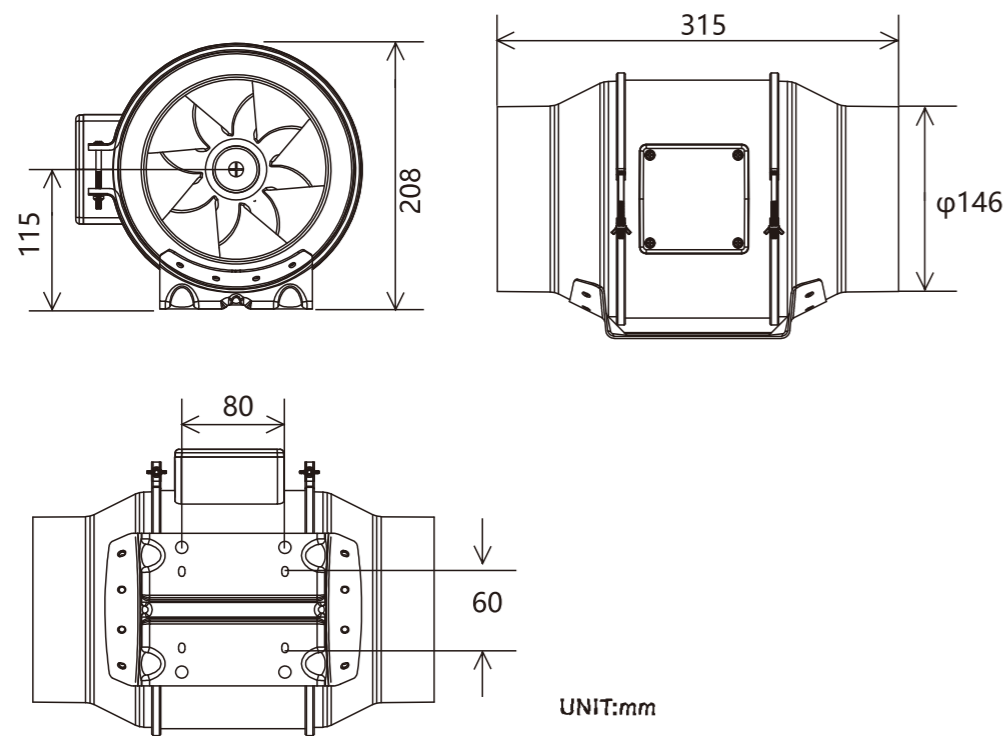
VENTILATION Series

VENTILATION Series

## Performance Curve



## DF06 Outside dimension drawing



## Onsite application



## Features

- Leizig CAD designed air flow system allows for the elimination of the dead zones;
- High efficiency motor is guaranteed to run longer, quieter and cleaner;
- Turbine head is made of high quality, PP material for wide temperature tolerance;
- Sleek but practical design facilitates easy and attractive installation;
- Variable fan speed via manual control or optional intelligent control;
- 5 year warranty included.

|                |                       |
|----------------|-----------------------|
| Model No.      | DF06                  |
| Factory ID No. | 32100091              |
| Product Name   | Air Filtration Kit 6" |

|                             |                            |
|-----------------------------|----------------------------|
| Fan Unit                    | DF06                       |
| Total Dimensions            | 8.19 x 12.4 x 8.86 in.     |
| Screw Hole Size             | Ø 0.236 in.                |
| Cord Length to Controller   | 72 in.                     |
| Controller Total Dimensions | 2.70 x 1.37 x 0.55 in.     |
| Total Airflow (Fan Only)    | 350 CFM                    |
| Total Noise                 | 38dBA                      |
| Max Speed                   | 2500 RPM                   |
| Static Pressure             | 394 Pa                     |
| Voltage                     | 100-240V AC                |
| Frequency                   | 50/60Hz                    |
| Max Power Draw              | 70W                        |
| Average Power Usage         | 60W                        |
| Current                     | 0.55A                      |
| Power Connector Type        | US Plug (NEMA 1-15 Type-A) |
| Operating Humidity          | 35 to 85% RH               |
| Operating Temperature       | 0 to 140°F                 |
| Ingress Protection          | IP 44                      |
| Mounting Positions          | Horizontal or Vertical     |
| L10 Life Expectancy         | 67,000 Hours               |

|                  |                      |
|------------------|----------------------|
| Carbon Filter    | DF06                 |
| Total Dimensions | 3.3 x 3.3 x 0.98 in. |
| Flange Material  | Aluminum             |
| Flange Design    | Reversible           |
| Mesh Material    | Stainless Steel      |
| Carbon Grade     | 1200+                |
| Carbon Type      | Australian Charcoal  |
| Maximum Airflow  | 410 CFM              |

|                |                   |
|----------------|-------------------|
| Ducting        | DF06              |
| Length         | 78.74 in. (2 m)   |
| Outer Layer    | PVC Thermoplastic |
| Inner Material | Aluminum Foil     |