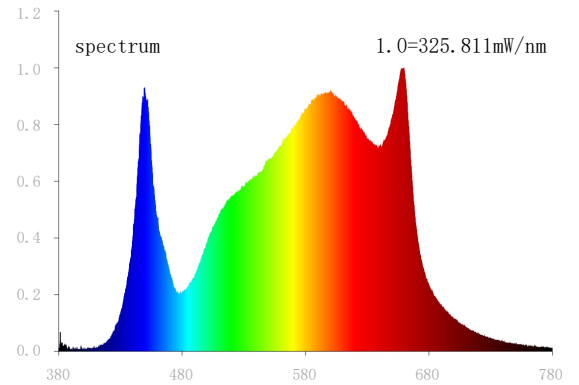
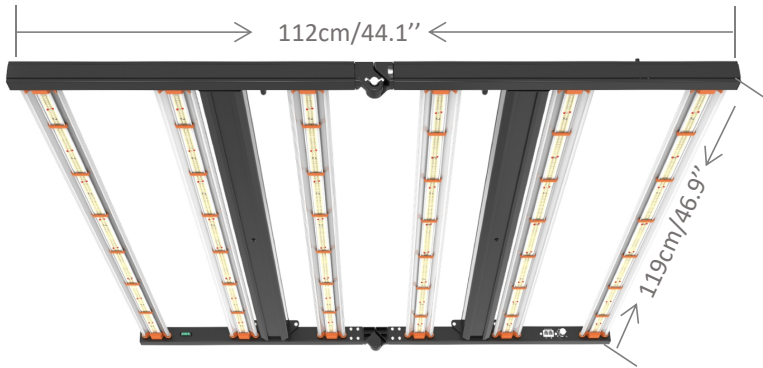


# GA066S281HUNVXX

## LUMATRONICS POWER GROW LED LIGHT SERIES



### Applications:



# GA066S281HUNVXX

## LUMATRONICS POWER GROW LED LIGHT SERIES

### Specs:

#### Technical Highlights

- High Efficacy 2.72  $\mu\text{mol/J}$
- High voltage range 120-277V
- High quality bin LEDs
- Balanced full spectrum
- Slim design enables multi-Layer farming
- Remote control

#### Electrical Configurations

Input Power	660W
Frequency	50/60Hz
Input Voltage	120 - 277V
Input Current	6.0A - 2.4A
Diodes Brand	Samsung + Osram/Cree
Drivers Brand	Sosen/MeanWell

#### Reliability

Waterproof Rating	IP65
Operating Temperature	-20 - 45°C
Operating Humidity	10% - 95% RH
Thermo Management	Passive
Life time	L90, > 54,000hrs
Warranty	5 Years

#### Physical Parameters

Dimension	119cm X 112cm X 8cm
Net Weight	17Kg/37.5 lb
Gross Weight	20Kg/44.1 lb

#### Performance

PPF	1810 $\mu\text{mol/s}$
Efficacy	2.72 $\mu\text{mol/J}$
Coverage	4' X 4' (120cm X 120cm) OR 5' X 5' (150cm X 150cm)
Mounting Height	$\geq 6"$ (15.2cm) above canopy
Power Factor	98%
Spectrum	Full spectrum
Beam Angle	120 Degree
Dimming	Off, 25%, 50%, 75%, 100% dimming knob OR 0-10V linear dimming signal remote control