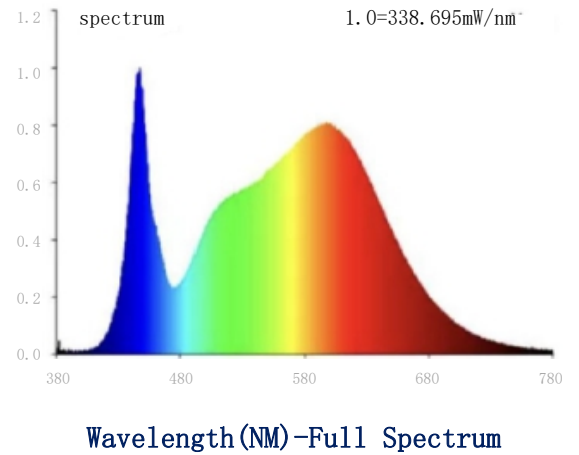
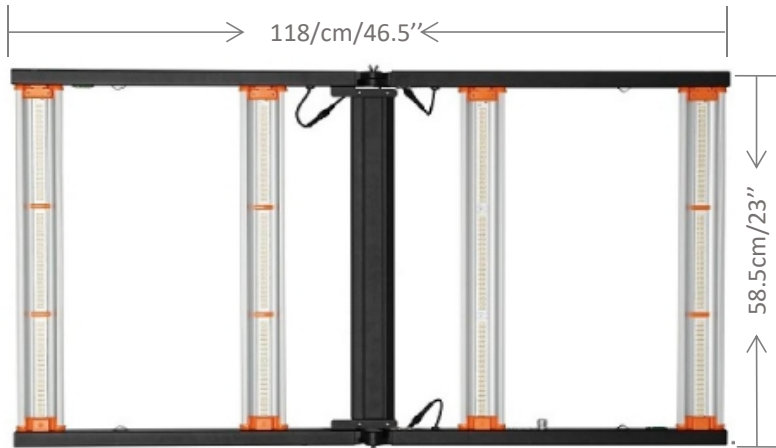


GA020S281HUNVXX

LUMATRONICS POWER GROW LED LIGHT SERIES



Applications:



GA020S281HUNVXX

LUMATRONICS POWER GROW LED LIGHT SERIES

Specs:

Technical Highlights

- High Efficacy 2.6 $\mu\text{mol}/\text{J}$
- High voltage range 120-277V
- High quality bin LEDs
- Balanced full spectrum
- Slim design enables multi-Layer farming
- Remote control

Electrical Configurations

Input Power	200W
Frequency	50/60Hz
Input Voltage	120 - 277V
Diodes Brand	Samsung + Osram/Cree
Drivers Brand	Sosen/MeanWell

Reliability

Waterproof Rating	IP65
Operating Temperature	-20 - 45°C
Operating Humidity	10% - 95% RH
Thermo Management	Passive
Life time	> 54,000hrs
Warranty	5 Years

Physical Parameters

Dimension	118cm X 58.5cm X 8cm
Net Weight	7.5Kg/16.5 lb
Gross Weight	10Kg/22.05 lb

Performance

PPF	480 $\mu\text{mol}/\text{s}$
Efficacy	2.6 $\mu\text{mol}/\text{J}$
Coverage	4' X 2' (120cm X 60cm) OR 4' X 4' (120cm X 120cm)
Mounting Height	$\geq 6"$ (15.2cm) above canopy
Power Factor	98%
Spectrum	Full spectrum
Beam Angle	120 Degree
Dimming	Off, 25%, 50%, 75%, 100% dimming knob OR 0-10V linear dimming signal remote control