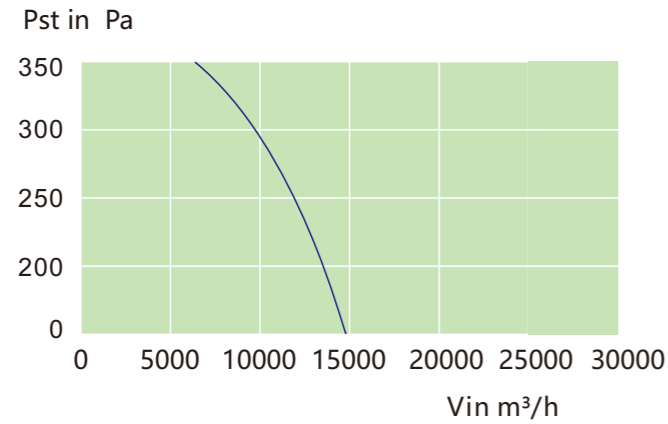


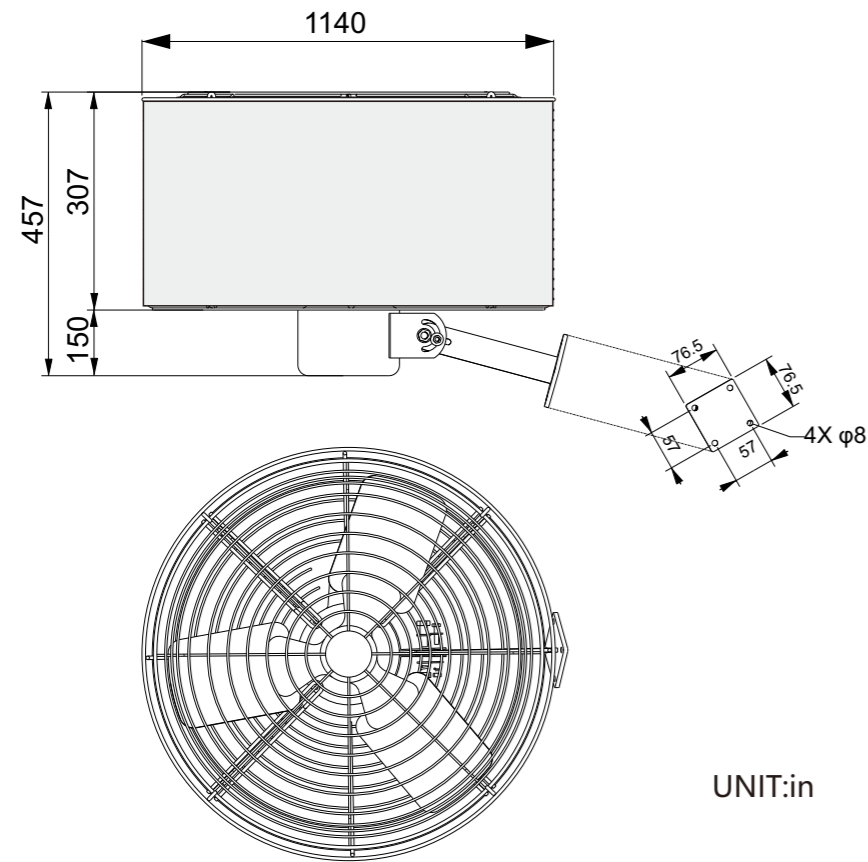
Circulation Fan CF42



Performance Curve



CF Outside dimension drawing



Onsite application



Features

- 115/230 VAC optional dual voltage, suitable for different project needs
- Optional flow rate of 1470 to 14850CFM, for small size and high energy efficiency
- Directional forced air flow assures plant and flower movement for even light distribution
- Cantilevered brackets for easy install, simple maintenance and fast relocation
- Double ball bearing for silent operation and long life
- Snap-in grille for easy maintenance



Structural parameters	CF42
Diameter	42"
Product Shipping Dimensions	45 x 46 x 18 in.
Guard Spacing(inches)	1/2 - 1 UL507
Maximum Rpm	825 Rpm

Air flow parameters	CF42
CFM(free Air)	14850 CFM
CFM Range(free Air)	10001 - 15000 CFM

Electrical parameters	CF42
Voltage	115/230V AC
Frequency	60Hz
Power	1/2hp
Nameplate Amps	7/3.5 A
CFM/watt(free Air)	27

Attachment parameters	CF42
Product Net Weight(lbs)	75 lbs
Cord Length	Not included