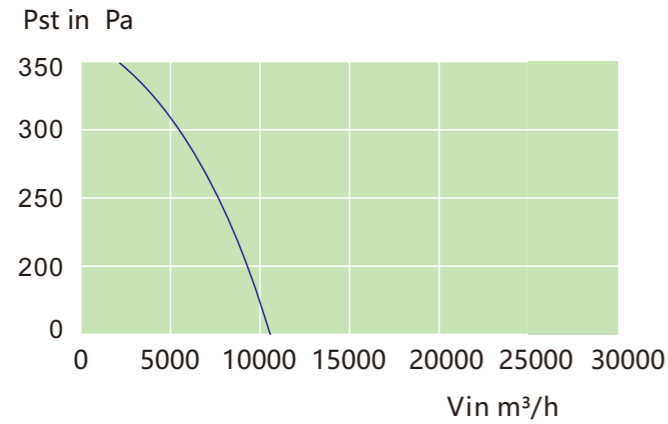


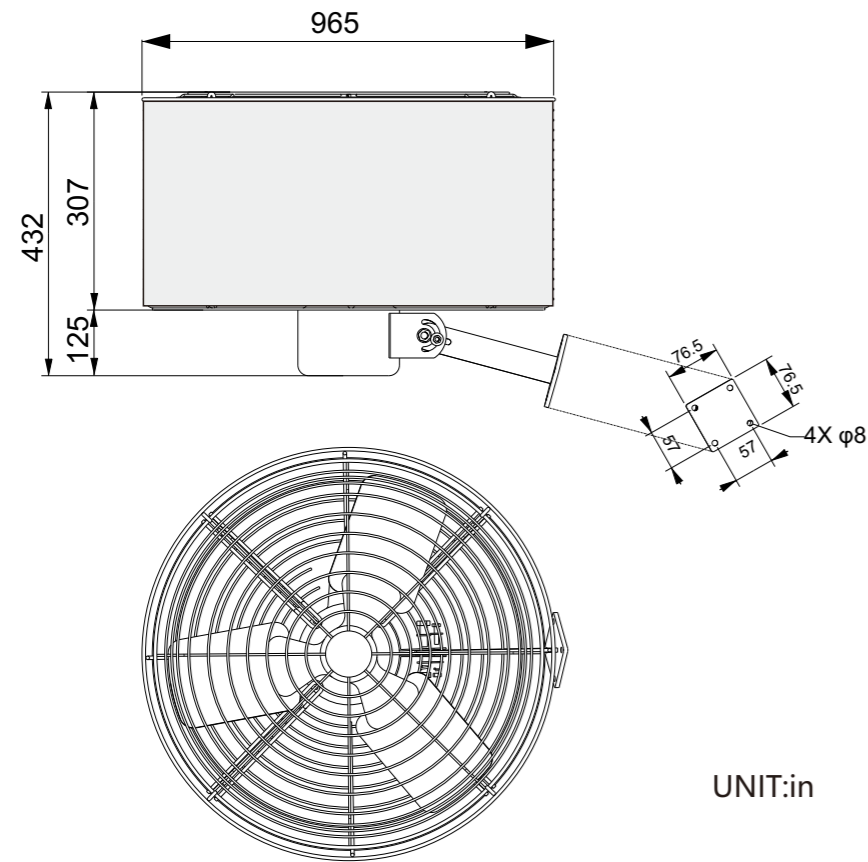
Circulation Fan CF36



Performance Curve



CF Outside dimension drawing



Onsite application



Features

- 115/230 VAC optional dual voltage, suitable for different project needs
- Optional flow rate of 1470 to 14850CFM, for small size and high energy efficiency
- Directional forced air flow assures plant and flower movement for even light distribution
- Cantilevered brackets for easy install, simple maintenance and fast relocation
- Double ball bearing for silent operation and long life
- Snap-in grille for easy maintenance



Structural parameters	CF36
Diameter	36"
Product Shipping Dimensions	39 x 38 x 17 in.
Guard Spacing(inches)	1/2 - 1 UL507
Maximum Rpm	825 Rpm

Air flow parameters	CF36
CFM(free Air)	11400 CFM
CFM Range(free Air)	10001 - 15000 CFM

Electrical parameters	CF36
Voltage	115/230V AC
Frequency	60Hz
Power	1/2hp
Nameplate Amps	7/3.5 A
CFM/watt(free Air)	26.7

Attachment parameters	CF36
Product Net Weight(lbs)	60 lbs
Cord Length	Not included