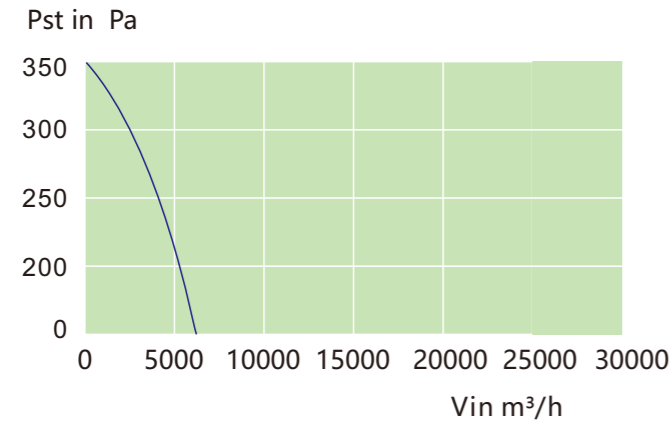


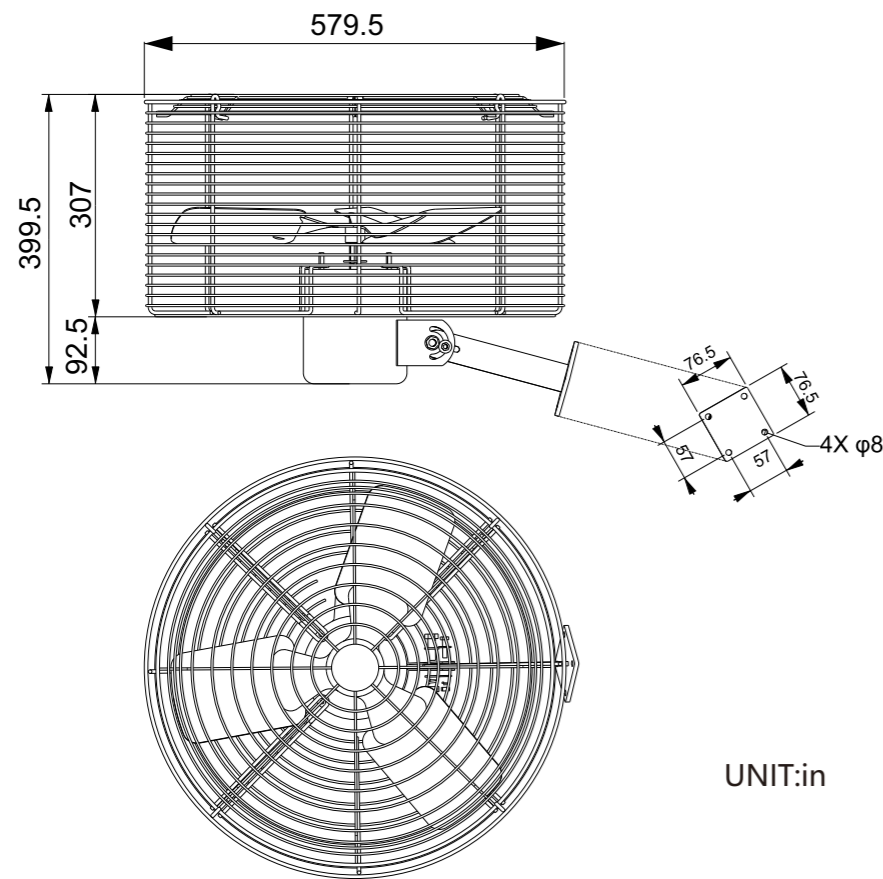


Circulation Fan CF20

Performance Curve



CF Outside dimension drawing



Onsite application



Features

- 115/230 VAC optional dual voltage, suitable for different project needs
- Optional flow rate of 1470 to 14850CFM, for small size and high energy efficiency
- Directional forced air flow assures plant and flower movement for even light distribution
- Cantilevered brackets for easy install, simple maintenance and fast relocation
- Double ball bearing for silent operation and long life
- Snap-in grille for easy maintenance



Structural parameters	CF20
Diameter	20"
Product Shipping Dimensions	23 x 23 x 18 in.
Guard Spacing(inches)	1/2 - 1 UL507
Maximum Rpm	1725 Rpm

Air flow parameters	CF20
CFM(free Air)	5470 CFM
CFM Range(free Air)	5001 - 10000 CFM

Electrical parameters	CF20
Voltage	115/230V AC
Frequency	60Hz
Power	1/3hp
Nameplate Amps	3.8/1.9 A
CFM/watt(free Air)	15.6

Attachment parameters	CF20
Product Net Weight(lbs)	33 lbs
Cord Length	60 in.(5 feet)