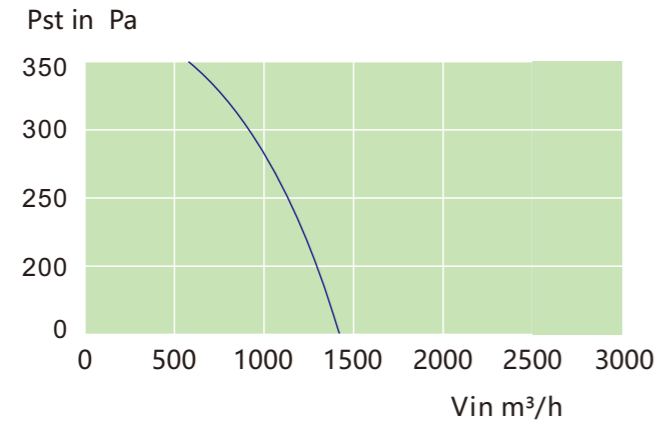


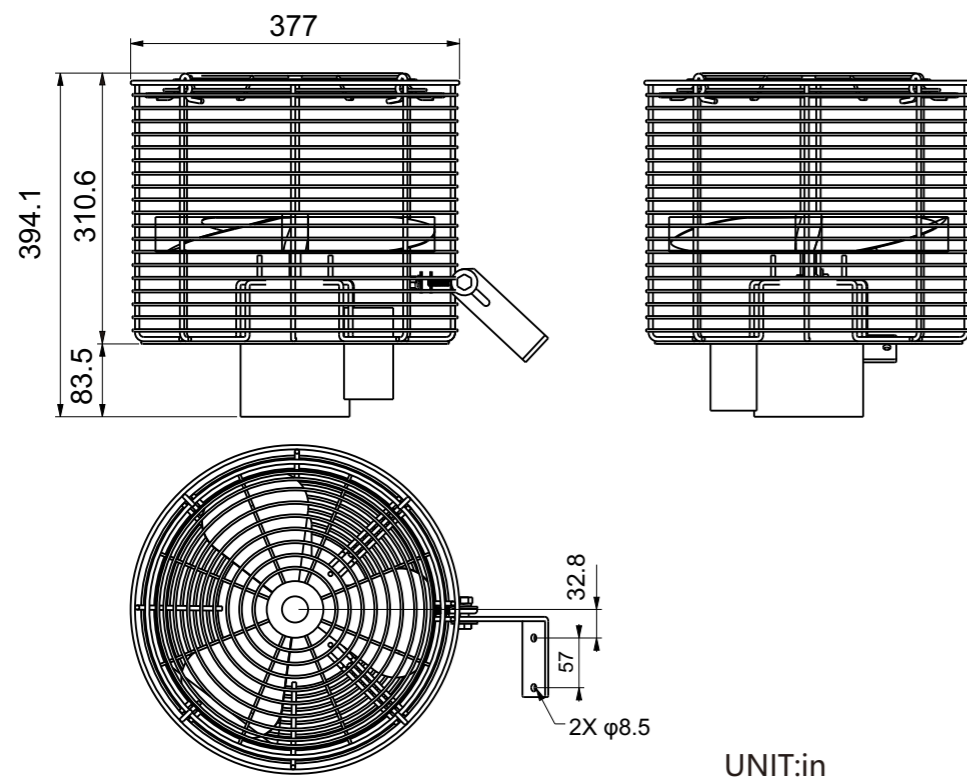


# Circulation Fan CF12

## Performance Curve



## CF Outside dimension drawing



## Onsite application



## Features

- 115/230 VAC optional dual voltage, suitable for different project needs
- Optional flow rate of 1470 to 14850CFM, for small size and high energy efficiency
- Directional forced air flow assures plant and flower movement for even light distribution
- Cantilevered brackets for easy install, simple maintenance and fast relocation
- Double ball bearing for silent operation and long life
- Snap-in grille for easy maintenance



Structural parameters	CF12
Diameter	12'
Product Shipping Dimensions	15 x 15 x 17 in.
Guard Spacing(inches)	1/2 - 1 UL507
Maximum Rpm	1725 Rpm

Air flow parameters	CF12
CFM(free Air)	1470 CFM
CFM Range(free Air)	1001 - 2500 CFM

Electrical parameters	CF12
Voltage	115/230V AC
Frequency	60Hz
Power	1/10hp
Nameplate Amps	1.2/0.7 A
CFM/watt(free Air)	14

Attachment parameters	CF12
Product Net Weight(lbs)	21.6 lbs
Cord Length	60 in.(5 feet)